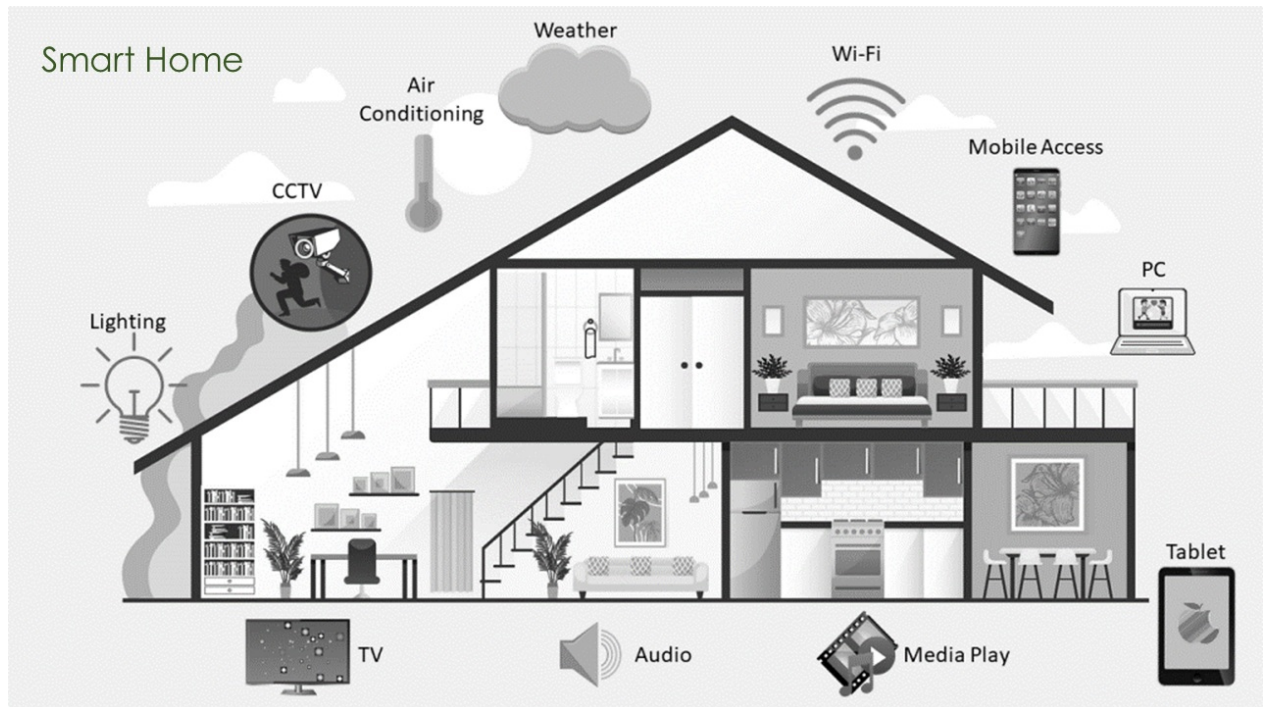


Wi-Fi Home in a Box Testing with LANforge

Testing WiFi applications and devices in a real-world environment is time consuming and difficult to replicate. Candela Technologies is proud to present a lab based Home in a Box testbed to provide many of the features of a real-world test house with the space savings and reproducible behaviour of a lab environment.



3-ways to Test



In a Real Home

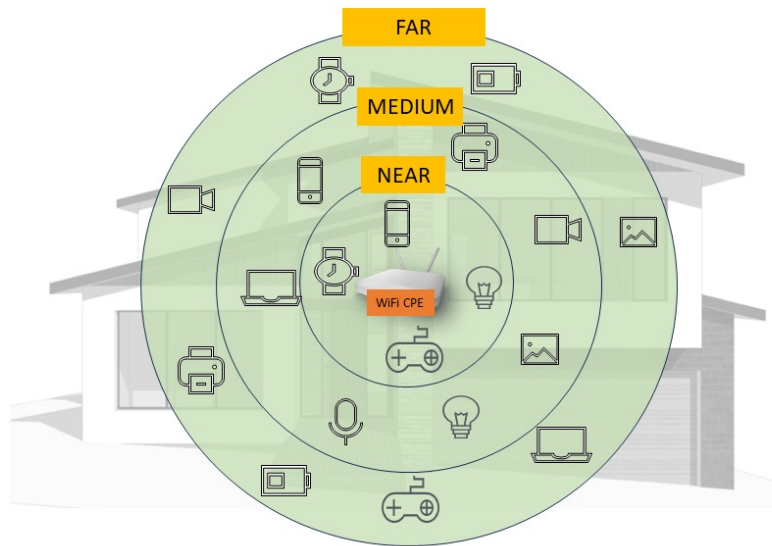


In a Screen Room



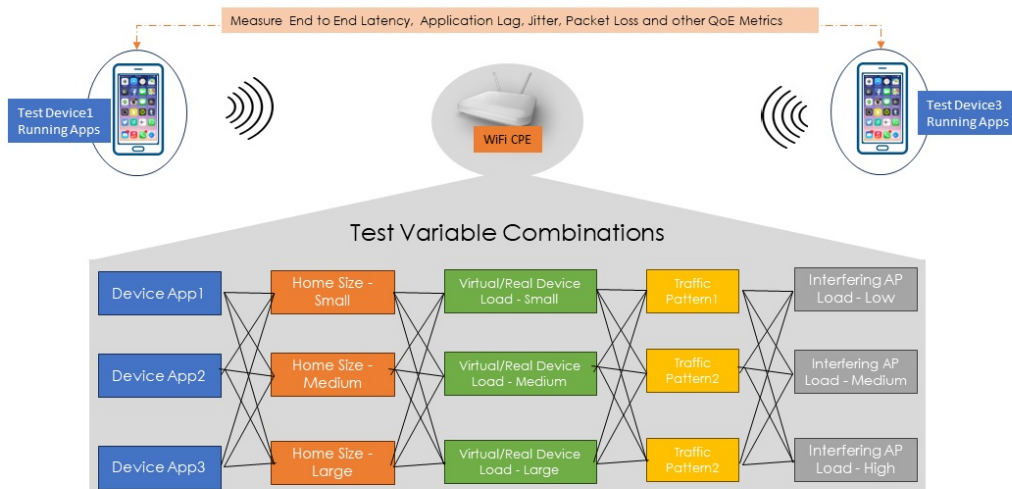
Home-in-a-Box





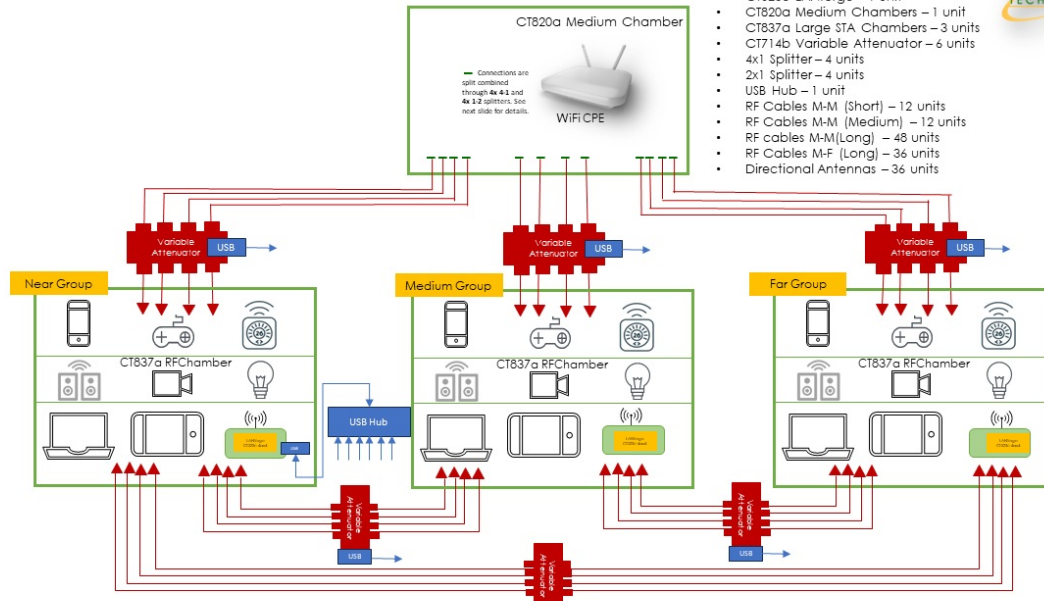
© 2023 Candela Technologies – All Rights Reserved

Single CPE Test Scenarios



© 2023 Candela Technologies – All Rights Reserved

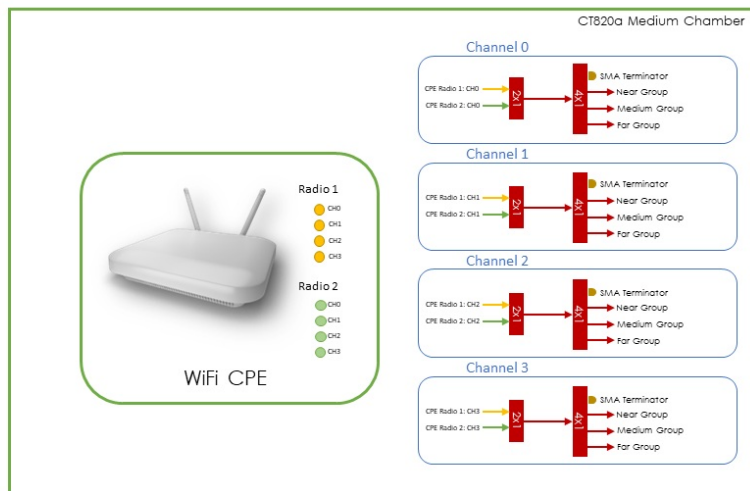
High Level Wiring Diagram – OPTION B



- CT523c LANforge – 1 unit
- CT820a Medium Chambers – 1 unit
- CT837a Large STA Chambers – 3 units
- CT174b Variable Attenuator – 6 units
- 4x1 Splitter – 4 units
- 2x1 Splitter – 4 units
- USB Hub – 1 unit
- RF Cables M-M (Short) – 12 units
- RF Cables M-M (Medium) – 12 units
- RF cables M-M(Long) – 48 units
- RF Cables M-F (Long) – 36 units
- Directional Antennas – 36 units

© 2023 Candela Technologies – All Rights Reserved

WiFi CPE Chamber Details – OPTION B



© 2023 Candela Technologies – All Rights Reserved

Home-in-a-Box Testbed Dimensions

Approximate Weight : 650kgs



© 2023 Candela Technologies – All Rights Reserved

| 10

Fully Automated

Candela Technologies offers a fully automated Home in a Box test system. This includes all the required test hardware, including:

- RF enclosures
- Programmable Attenuators
- LANforge WiFi testbed controller and WiFi test components
- RF & Ethernet cables
- Splitters/Combiners, fixed Attenuators
- Optional: Real WiFi stations (Android, Windows, MacOS, Linux)
- Optional: AP/CPE

Lead Times

Most LANforge systems can generally be shipped within 2-3 weeks of customer PO. RF chambers and attenuators may need 6-8 weeks of lead time. Direct-from-the-factory shipping is available for the RF chambers to decrease shipping costs and lead times.

TaaS/Onsite Support

Customers with only occasional test needs can use our Test as a Service option. Candela engineers can do the testing for you in our fully equipped test lab and provide a detailed test report with recommendations.

For more information, please contact sales@candelatech.com or give us a call at: 1-360-380-1618